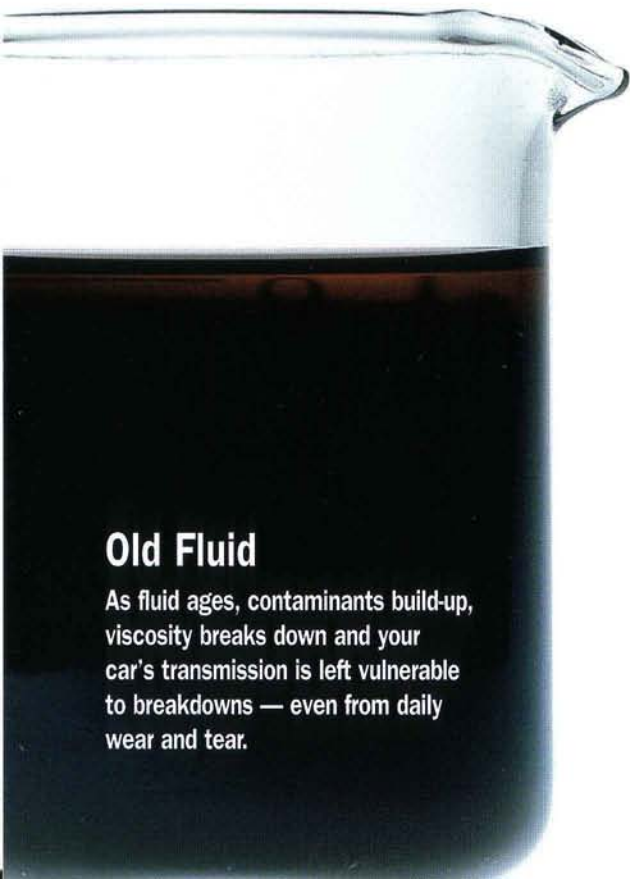


IS Yours Next?

Just imagine if it happened on a long trip away from home. Or after a late night at the office. No matter where or at what time, breakdowns are never convenient, often dangerous and always expensive.



Old Fluid

As fluid ages, contaminants build-up, viscosity breaks down and your car's transmission is left vulnerable to breakdowns — even from daily wear and tear.

The TransTech system is a patented machine that is specifically designed to protect today's sophisticated transmission components.

If you haven't had a transmission flush recently, you might be heading toward a breakdown. And not the "traditional" transmission service that replaces only about 30 percent of the car's old fluid. Today's cars require a more thorough flush than ever before—one that can get to old fluid trapped deep inside areas such as the torque converter, clutch drums and valve body.

The TransTech Service will provide a better driving experience and peace of mind that you are properly maintaining your transmission.

In just 30 minutes, TransTech will replace virtually every drop of fluid in your transmission system by using a self-driven pump connected to transmission cooler lines. The new fluid gradually flushes out the old fluid until there's no trace of old fluid left.

After the service, you'll notice the difference when you drive your car: smoother shifting, increased performance—all in all, a better driving experience.

TransTech Transmission Service is fast, effective and the best way to protect your transmission

MOTORVAC
TransTech
SYSTEM



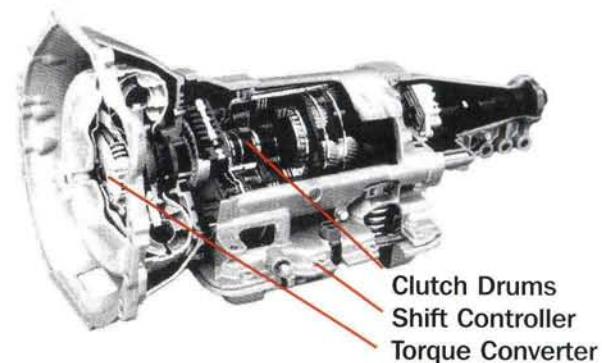
New Fluid

Protects the sophisticated machinery in today's transmissions. It helps to reduce component failure, improve performance and increase vehicle longevity.

Fast Service

Give us 30 minutes—and with the TransTech system we'll perform a complete transmission fluid flush. Virtually 100% of the old automatic transmission fluid (ATF) in your car will be replaced with new ATF.

Just looking at the system's hoses will show you the difference—old, contaminated, and broken down fluid being replaced with fresh new fluid that will protect your transmission!



Full Service

A traditional transmission service replaces about 30 percent of the car's old fluid. That's all, simply because it was once impossible to get to fluid trapped in areas such as the torque converter, clutch drums and valve body.

Now that's changed with TransTech's pump-designed action. It gets down deep into all the hard-to-reach places, pumping out virtually all the old fluid and replacing it with new fluid.

That's the TransTech difference—the fast, effective and complete transmission service that will give you peace of mind and a better driving experience.



TransTech Service Benefits

- Replaces Virtually 100% Of the ATF Verses Traditional Methods that Only Remove About 30%
- Removes Varnish, Sludge and Other Harmful Contaminants
- Quiets and Smoothes Shifting
- Reduces Oxidation and Heat Related Breakdown
- Extends Transmission Life!

Ask your Service Technician about these other valuable MotorVac maintenance services:

- **CarbonClean Service** – Fuel System Cleaning and De-Carbonizing Service
- **CoolantClean Service** – Flushes and Cleans Coolant System
- **OilClean Service** – Engine Flush and Cleaning Service
- **SteerClean Service** – Power Steering Flush and Exchange Service
- **BrakeTech Service** – Brake Bleeding and Flush Service

MotorVac Services are featured at:



1431 South Village Way, Santa Ana, CA 92705 U.S.A.
TEL: (800) 841-8810 • (714) 558-4822
FAX: (714) 558-0754 • www.motorvac.com

©2003 MotorVac Technologies, Inc.

MotorVac and TransTech are registered trademarks of MotorVac Technologies, Inc.

MOTORVAC[®]

TransTech[®]

SYSTEM

Why Should You Flush and Condition Your Transmission?

*Look inside to see how you can
extend your transmission's life!*

